

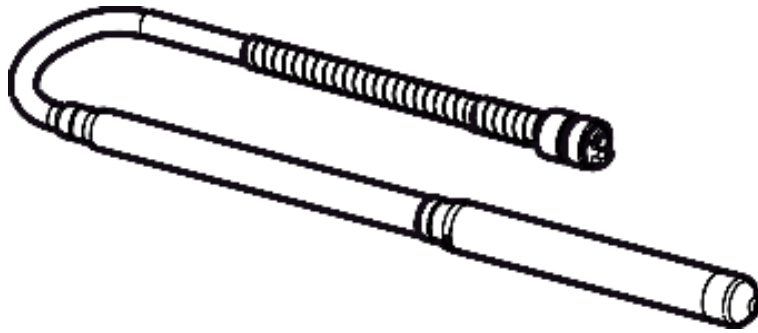
# AA 27,37,47,67,77

---

## Spare parts list

### Poker vibrators

AA 27,37,47,67,77



# General information

This spare parts list applies to the following:

Part number	Description
967857301	POKERS AA 27
967857401	POKERS AA 37
967857501	POKERS AA 47
967857601	POKERS AA 67 6 M
967857701	POKERS AA 77 6 M

Use only authorized parts. Any damage or malfunction caused by the use of unauthorized parts is not covered by Warranty or Product Liability. Any unauthorized use or copying of the contents or any part thereof is prohibited. This applies in particular to trademarks, model denominations, part numbers, and drawings.

## Instructions for use

This spare parts list contains no safety regulations and is merely intended to assist in the ordering of spare parts.

For information about operating, servicing, or repairing, the relevant Safety and operating instructions must be consulted at all costs.

Please observe the safety instructions listed in the relevant Safety and operating instructions!

Kits and consumables .....	1
----------------------------	---

**Spare parts list**

AA 27 .....	3
AA 37 .....	5
AA 47 .....	7
AA 67 .....	9
AA 77 .....	11

**Kits**

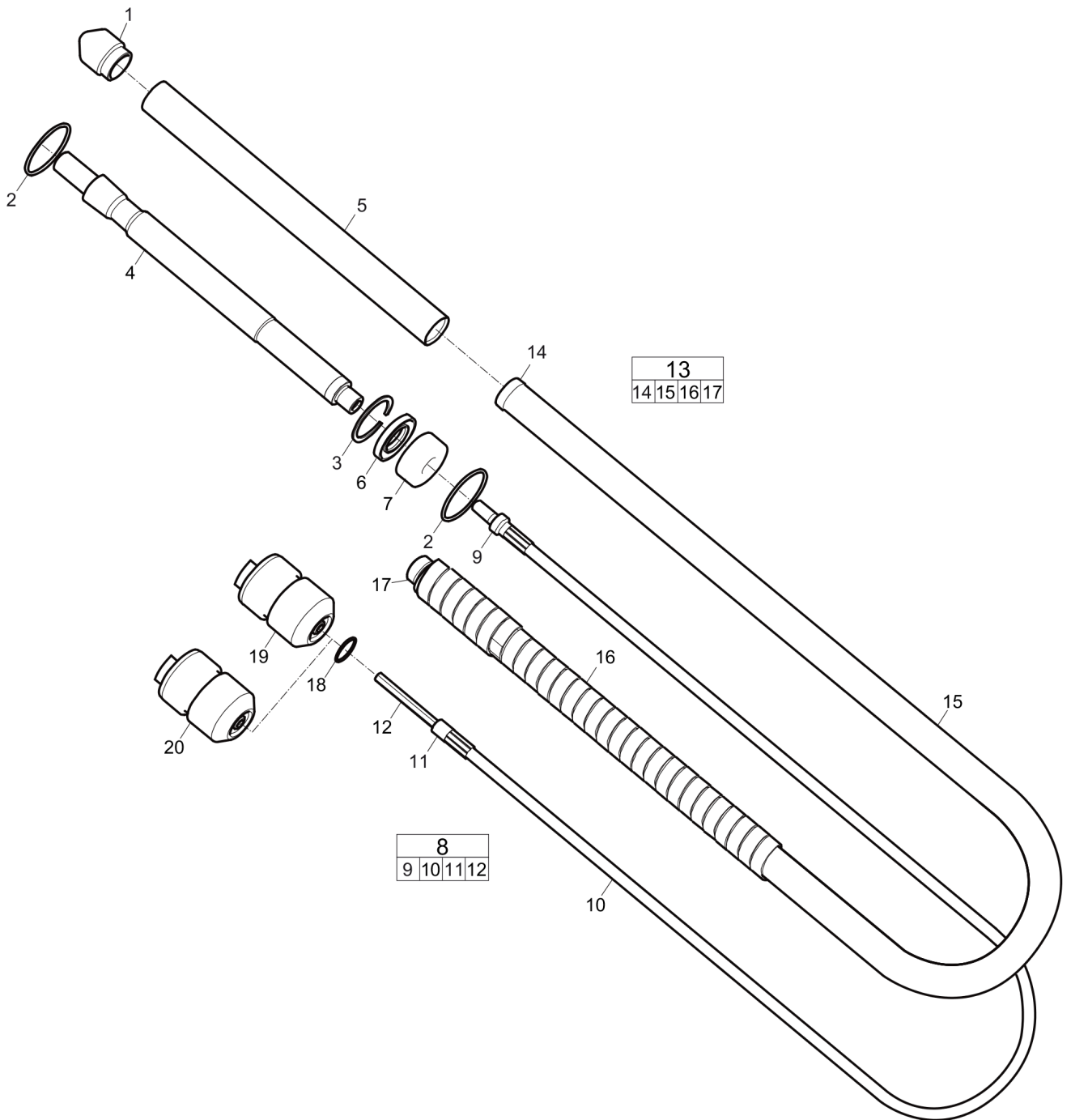
Dynapac coupling kit .....	13
Australian coupling kit .....	15
Service kit - AA 27 service kit .....	17
Service kit - AA 37 service kit .....	19
Service kit - AA 47 service kit .....	21
Service kit - AA 67 service kit .....	23
Service kit - AA 77 service kit .....	25

## Kits and consumables

<b>Service offers resume AA27</b>	<b>Item</b>	<b>Description</b>
<b>Wear&amp;Repair Kits</b>	1	Maintenance kit

Item	Part No.	Name	Qty	L
1	594404601	AA 27 service kit	1	

Spare parts list AA 27



Item	Part No.	Name	Qty	L
1	594402001	End cap	1	
2	-	O-ring, Ø14.1 x 1.6 mm, Ø0.56 x 0.06 in. NBR (70 shore)	2	
3	-	Retainer ring, Ø19x1 mm, Ø0.75 x 0.04 in. DIN472	1	
4	595169401	Vibrator shaft	1	
5	595169301	Flexible shaft	1	
6	594282601	Seal ring	1	
7	594284801	Bearing	1	
8	595461601	Flexible shaft cpl.	1	
9	594373701	End shank	1	
10	595524001	Flexible shaft	1	
11	594373801	End shank	1	
12	594373001	Driver pin	1	A
13	594402101	Covering, cpl	1	
14	595169501	End shank	1	
15	595169601	Covering	1	
16	595460901	Stiffener	1	
17	595162101	End shank	1	
18	594267201	O-ring	1	
19	594374801	Coupling	1	B
20	595467601	Coupling	1	C

Comments for Page: AA 27

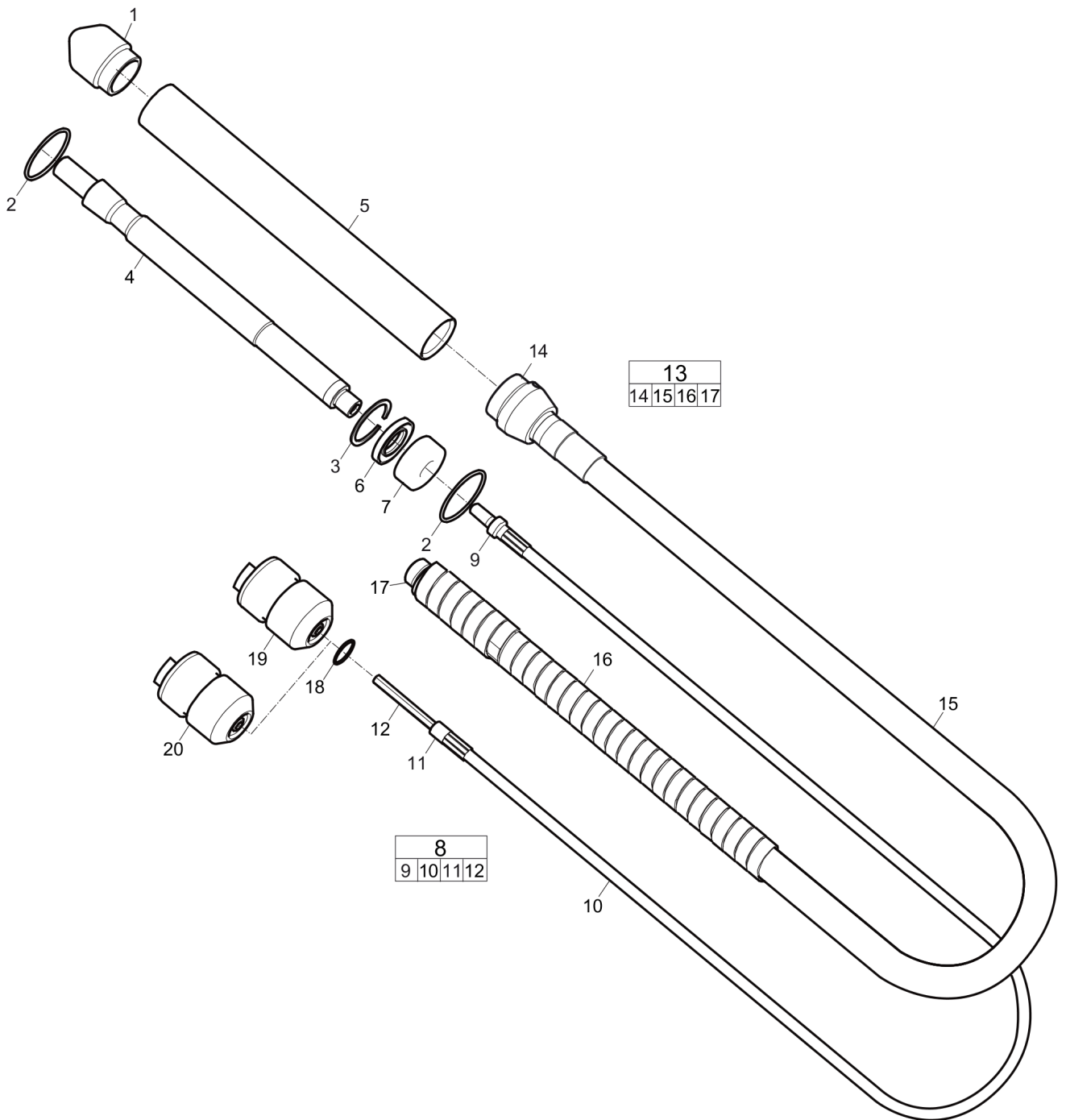
(L)OCAL REMARKS

A | Hexagon

B | Dynapac version

C | Australian version

Spare parts list AA 37





Item	Part No.	Name	Qty	L
1	594819401	End cap	1	
2	-	O-ring, Ø28 x 2 mm, Ø1.10 x 0.08 in. NBR (70 shore)	2	
3	-	Retainer ring, Ø30 x 1.2 mm, Ø1.18 x 0.05 in. DIN472	1	
4	595169801	Vibrator shaft	1	
5	595169701	Tube	1	
6	594402401	Seal ring	1	
7	594288301	Bearing	1	
8	594402201	Flexible shaft cpl.	1	
9	594819501	Nipple	1	
10	594502301	Flexible shaft	1	
11	594376201	End shank	1	
12	594373001	Driver pin	1	A
13	594402301	Covering, cpl	1	
14	595169901	End shank	1	
15	595170001	Covering	1	
16	594396401	Stiffener	1	
17	594376301	End shank	1	
18	594267201	O-ring	1	
19	594374801	Coupling	1	B
20	595467601	Coupling	1	C

Comments for Page: AA 37

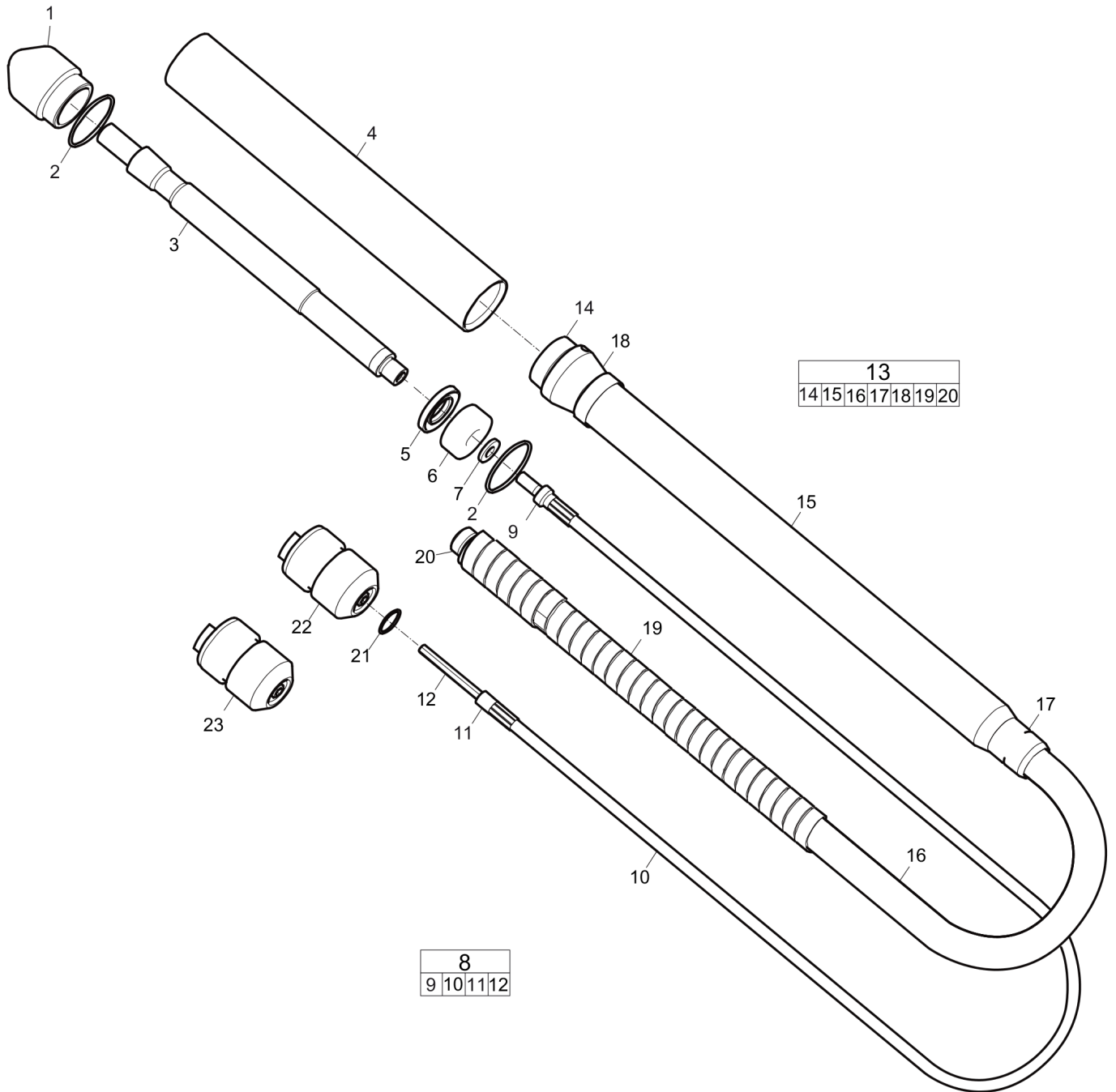
(L)OCAL REMARKS

A | Hexagon

B | Dynapac version

C | Australian version

Spare parts list AA 47



13						
14	15	16	17	18	19	20

8			
9	10	11	12

Refer to the Parts Online web page for most up-to-date information. The printed information might be outdated.

Item	Part No.	Name	Qty	L
1	594402501	End cap	1	
2	-	O-ring, Ø36.2 x 3 mm, Ø1.43 x 0.12 in. NBR (70 shore)	2	
3	594402601	Vibrator shaft	1	
4	595170101	Tube	1	
5	594403201	Seal ring	1	
6	594403101	Bearing	1	
7	594257901	Washer	1	
8	594402701	Flexible shaft cpl.	1	
9	594376101	End shank	1	
10	594502301	Flexible shaft	1	
11	594376201	End shank	1	
12	594373001	Driver pin	1	A
13	594402801	Covering, cpl	1	
14	594402901	End shank	1	
15	594403001	Stiffener	1	
16	595170001	Covering	1	
17	594502501	Sleeve	1	
18	594281601	Clamp	1	
19	594396401	Stiffener	1	
20	594376301	End shank	1	
21	594267201	O-ring	1	
22	594374801	Coupling	1	B
23	595467601	Coupling	1	C

Comments for Page: AA 47

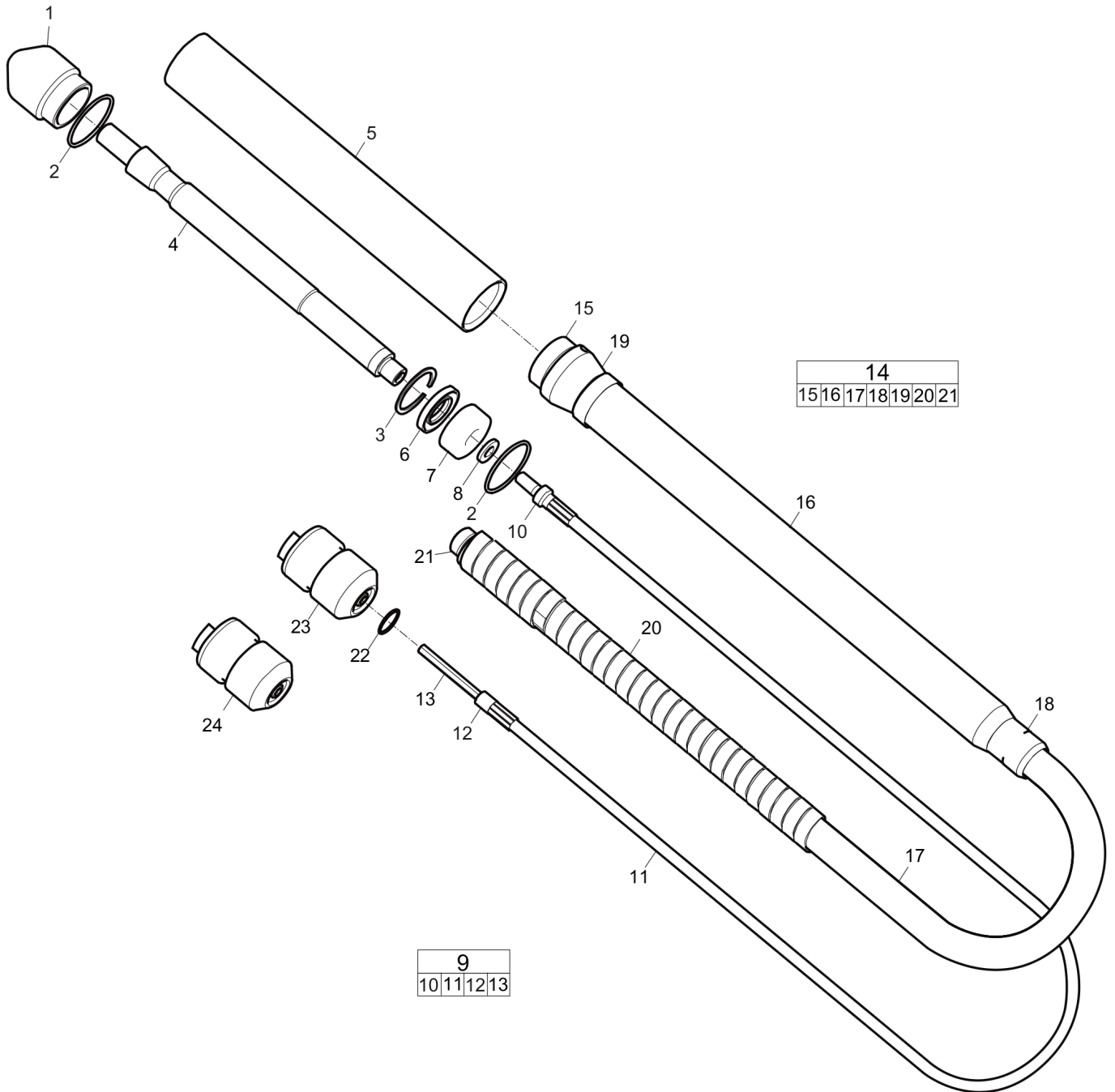
(L)OCAL REMARKS

A | Hexagon

B | Dynapac version

C | Australian version

Spare parts list AA 67



Item	Part No.	Name	Qty	L
1	594403301	End cap	1	
2	-	O-ring, Ø49.5 x 3 mm, Ø1.95 x 0.12 in. NBR (70 shore)	2	
3	-	Retainer ring, Ø52 x 2 mm, Ø2.05 x 0.08 in. DIN472	1	
4	594403601	Vibrator shaft	1	
5	594403401	Tube	1	
6	594404201	Seal ring	1	
7	594404101	Bearing	1	
8	594403501	Washer	1	
9	594403701	Flexible shaft cpl.	1	
10	594502601	Nipple	1	
11	594403801	Flexible shaft	1	
12	594376201	End shank	1	
13	594373001	Driver pin	1	A
14	594403901	Covering, cpl	1	
15	594404001	End shank	1	
16	594403001	Stiffener	1	
17	595170001	Covering	1	
18	594502501	Sleeve	1	
19	594285501	Clamp	1	
20	-	Stiffener	1	
21	594376301	End shank	1	
22	594267201	O-ring	1	
23	594374801	Coupling	1	B
24	595467601	Coupling	1	C

Comments for Page: AA 67

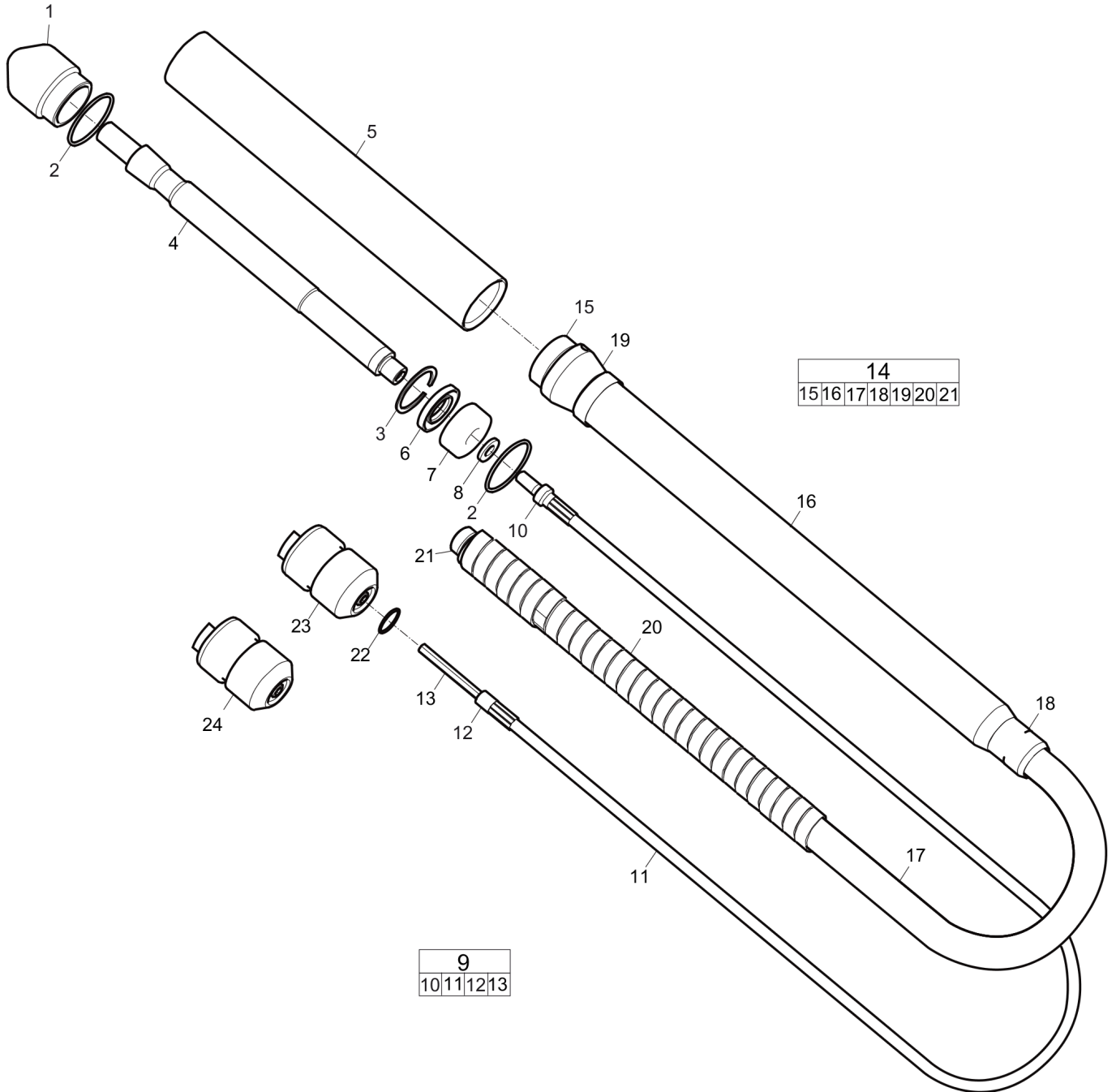
(L)OCAL REMARKS

A | Hexagon

B | Dynapac version

C | Australian version

Spare parts list AA 77



Refer to the Parts Online web page for most up-to-date information. The printed information might be outdated.

Item	Part No.	Name	Qty	L
1	595170201	End cap	1	
2	-	O-ring, Ø59.5 x 3 mm , Ø2.34 x 0.12 in. NBR (70 shore)	2	
3	-	Retainer ring, Ø62 x 2 mm, Ø2.44 x 0.08 in. DIN472	1	
4	594819601	Vibrator shaft	1	
5	595170301	Tube	1	
6	594404501	Seal ring	1	
7	595170501	Bearing	1	
8	594404301	Washer	1	
9	594403701	Flexible shaft cpl.	1	
10	594502601	Nipple	1	
11	594403801	Flexible shaft	1	
12	594376201	End shank	1	
13	594373001	Driver pin	1	A
14	595170401	Cover, complete	1	
15	594404401	End shank	1	
16	594403001	Stiffener	1	
17	595170001	Covering	1	
18	594502501	Sleeve	1	
19	594285501	Clamp	1	
20	--	Stiffener	1	
21	594376301	End shank	1	
22	594267201	O-ring	1	
23	594374801	Coupling	1	B
24	595467601	Coupling	1	C

Comments for Page: AA 77

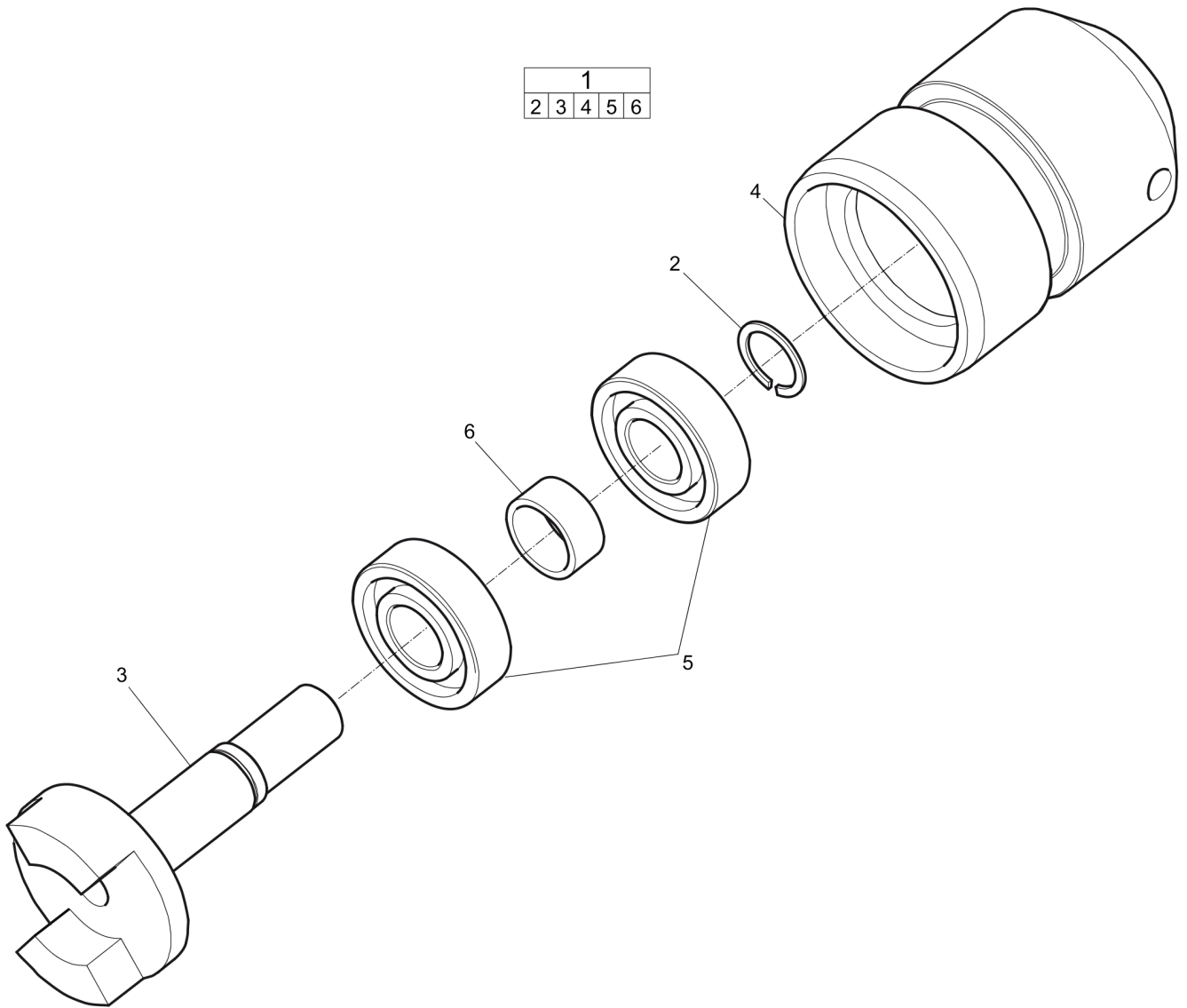
(L)OCAL REMARKS

A | Hexagon

B | Dynapac version

C | Australian version

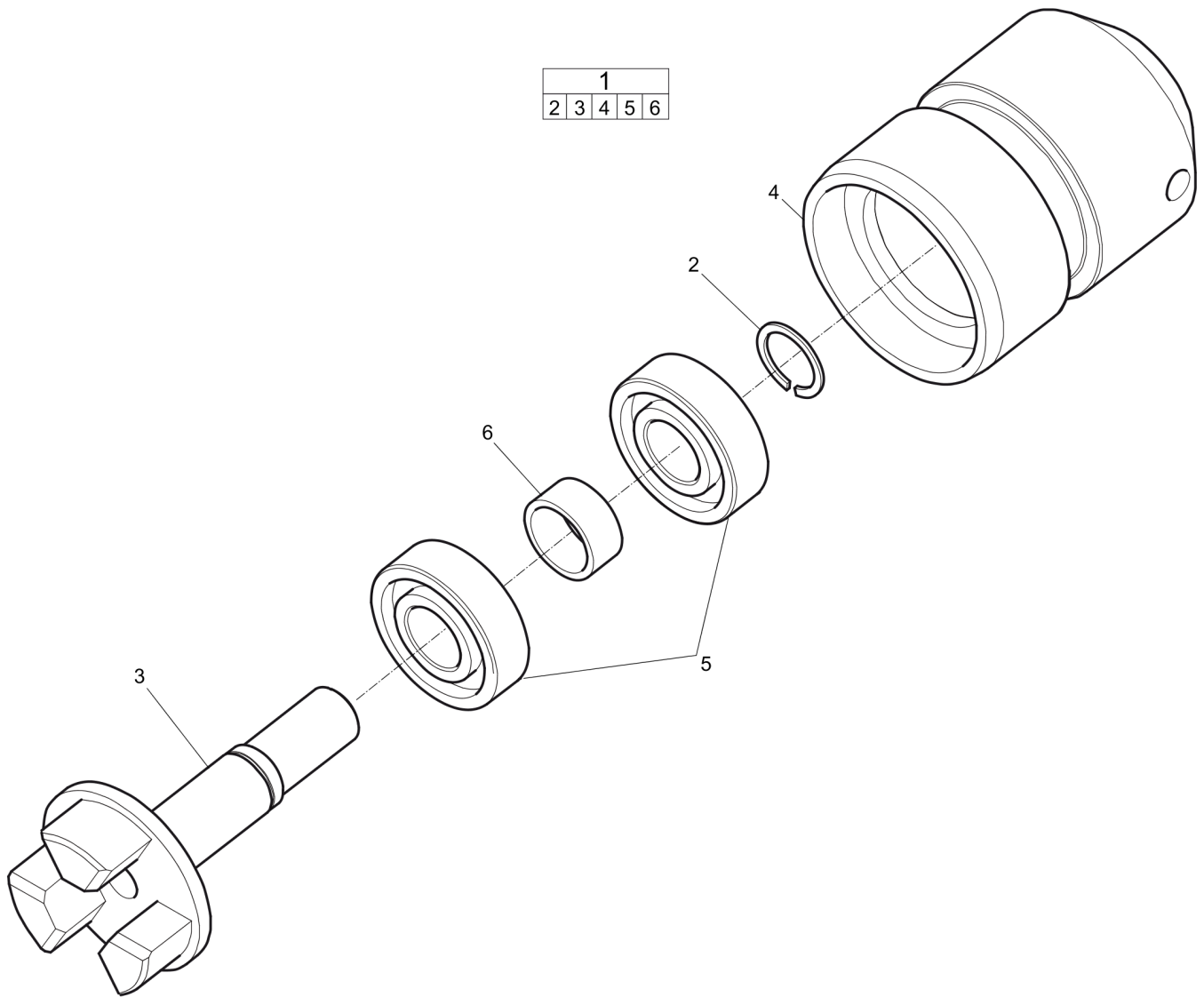
**Kits** Dynapac coupling kit





Item	Part No.	Name	Qty	L
1	594374801	Coupling	1	
2	--	Retainer ring, Ø17 x 1 mm, Ø0.67 x 0.04 mm DIN471	1	
3	594388501	Shaft	1	
4	594388601	Body	1	
5	594388701	Bearing	2	
6	594502401	Spacer	1	

**Kits** Australian coupling kit



Item	Part No.	Name	Qty	L
1	594627601	Australian coupling kit	1	
2	--	Retainer ring, Ø17 x 1 mm, Ø0.67 x 0.04 in. DIN471	1	
3	594861901	Shaft	1	
4	595525401	Body	1	
5	594388701	Bearing	2	
6	594502401	Spacer	1	

**Kits** Service kit - AA 27 service kit

NO EXPLODED VIEW  
AVAILABLE  
FOR THIS BOM

Item	Part No.	Name	Qty	L
1	594404601	AA 27 service kit	1	
2	594267601	O-ring	2	
3	594282601	Seal ring	1	
4	594284801	Bearing	1	
5	594267201	O-ring	1	

**Kits** Service kit - AA 37 service kit

NO EXPLODED VIEW  
AVAILABLE  
FOR THIS BOM

Item	Part No.	Name	Qty	L
1	594404701	AA 37 service kit	1	
2	594267901	O-ring	2	
3	594402401	Seal ring	1	
4	594288301	Bearing	1	
5	594267201	O-ring	1	

**Kits** Service kit - AA 47 service kit

NO EXPLODED VIEW  
AVAILABLE  
FOR THIS BOM



Item	Part No.	Name	Qty	L
1	594404801	AA 47 service kit	1	
2	595145201	O-ring 36,2X3-NBR 70SH	2	
3	594403201	Seal ring	1	
4	594403101	Bearing	1	
5	594267201	O-ring	1	

**Kits** Service kit - AA 67 service kit

NO EXPLODED VIEW  
AVAILABLE  
FOR THIS BOM

Item	Part No.	Name	Qty	L
1	594404901	AA 67 service kit	1	
2	595145301	O-ring	2	
3	594404201	Seal ring	1	
4	594404101	Bearing	1	
5	594267201	O-ring	1	

**Kits** Service kit - AA 77 service kit

NO EXPLODED VIEW  
AVAILABLE  
FOR THIS BOM

Item	Part No.	Name	Qty	L
1	594405001	AA 77 service kit	1	
2	594787101	O-ring	2	
3	594404501	Seal ring	1	
4	595170501	Bearing	1	
5	594267201	O-ring	1	

Any unauthorized use or copying of the contents or any part thereof is prohibited. This applies in particular to trademarks, model denominations, part numbers, and drawings.